

SWISS 1.5W Maintained Emergency Exit Blade Light, with multiple mounting options

This traditional but aesthetically well designed Exit Blade Light provides a multitude of great benefits. It has 5 alternative mounting methods, uses state of the art LFP (Lithium Ferro Phosphate) battery technology and the latest energy efficient LED's to contribute to substantial energy savings to reduce the carbon footprint of our buildings



Applications:

- Offices
- Public buildings
- Hotels, bars and clubs, restaurants
- Schools
- Health centres, hospitals
- Retail premises

Construction:

- White Polycarbonate Housing/Trim Material
- Polycarbonate Diffuser
- FR4 composite aluminium PCB
- White Polycarbonate Mounting Accessories

Features:

- Emergency exit blade light complete with 128mm height legend blade sign with running man into door and UP or DOWN arrow
- Small footprint dimensions
- Polycarbonate construction
- Includes accessories for 5 mounting methods
 - Ceiling surface mounted
 - Wall end mounting (arm) using 1 bracket
 - Wall surface mounted using 2 brackets
 - Post surface mounted using 1 bracket
 - Suspension wire mounted
- Utilises high quality MLS SMD LED's
- LED colour temperature of 7,500K
- LiFePO4 (Lithium Ferro Phosphate) battery technology
- Permanent live, switch live, earth and neutral input terminals
- Shorting jumper
- Manual test switch
- Green status LED

Benefits:

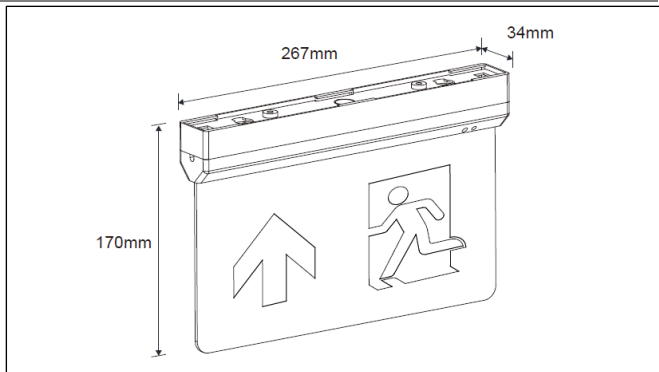
- Provides illuminated direction of exit which is viewable from up to 26m
- Neat and unobtrusive but provides clear signage
- Strong and durable so will not easily get damaged
- Allows a number of alternative mounting options
- The same universal fitting can be used in different ways in different areas of the building
- Provide bright light output in emergency mode, long LED life and low power consumption
- Provides total light colour contrast to the darkness of power failure or smoke filled area so exit direction is more easily seen
- Provides:
 - Fast Charge
 - Slow discharge when not connected to mains
 - A high number of charge/discharge cycles
 - 3 hour emergency light output
- Provides Maintained functionality by default
- Removal of the jumper provides non-maintained functionality
- Provides provision for termination of switched live and earth conductors
- The fitting can be tested manually on a regular basis without the need to turn off general lighting
- Visual indication that the fitting is charging

EMERGENCY

ROBUS®

SWISS 1.5W Maintained Emergency Exit Blade Light, with multiple mounting options

Product Code: UP arrow	RSS1P5-01
DOWN arrow	RSS1P5D-01
Comparable to:	NA
Total Power (W):	1.4
Total Light Output (lm):	6
Emergency Mode Light Output (lm):	6
Illuminance at 1m (lux):	2
Emergency Mode illuminance at 1m (lx):	2
Beam Angle (deg):	310
Maximum viewing distance (m):	26
Efficacy (lm / cctW):	NA
Rated Life (hrs):	30,000
Warranty (yrs):	4
Battery warranty (yrs):	2
CCT (K):	6,500
CRI (Ra):	80
Ingress Protection (IP):	20
Impact Rating (IK):	NA
Operating Temperature (°C):	-10<T _a <+40
Operating Voltage (Vac):	220-240
Power Factor (PF):	0.5
Height (mm):	170
Width (mm):	267
Depth (mm):	34
Legend dimensions (mm):	267x128
Box Qty:	1
Weight (kg):	0.21



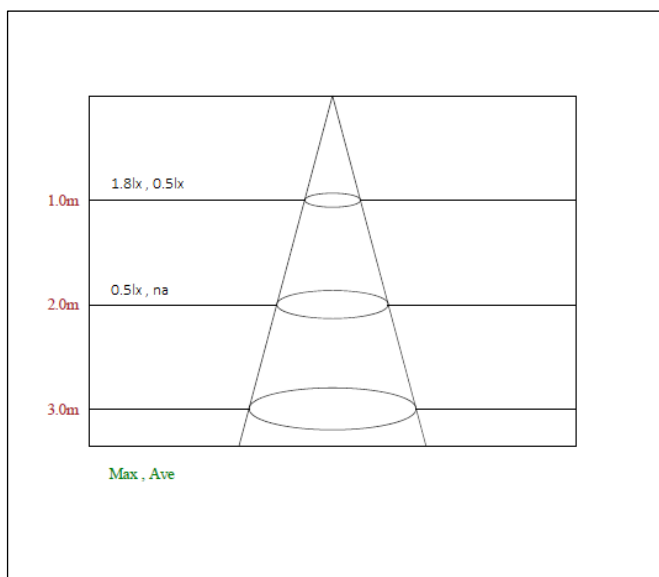
Accessories:

RSSLR ARROW LEFT/RIGHT LEGEND
RSSD ARROW DOWN LEGEND

Standards & Approvals:

Complies with: EN 55015, EN 61000-3-2, EN 61000-3-3, EN 61547, EN 60598-1, EN 60598-2-22, EN 62031, EN 62471, EN 62493

Cone Illuminance Diagram:



Polar Intensity Diagram:

